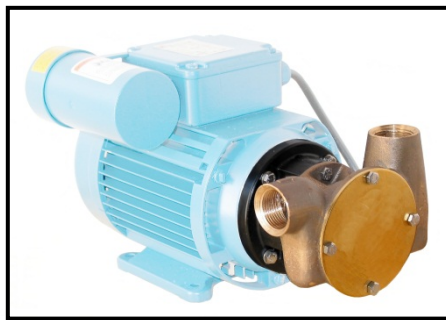


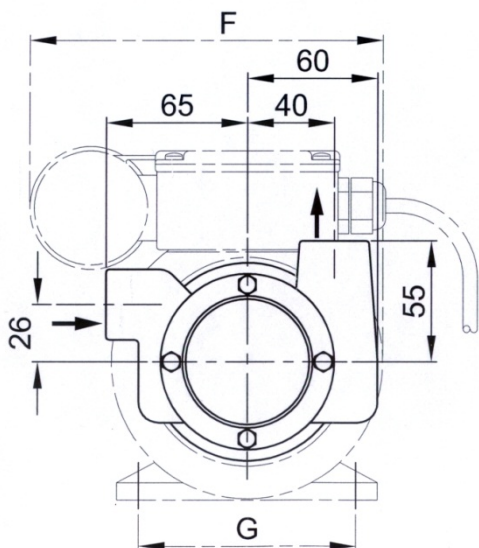
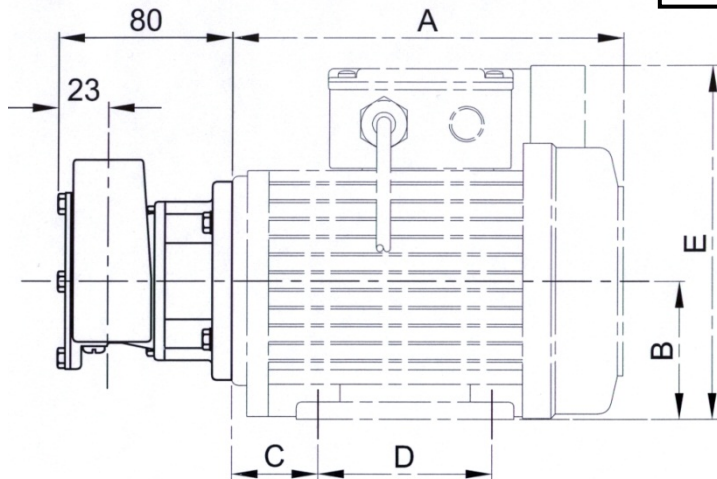


UTILITY PUMPS

a xylem brand



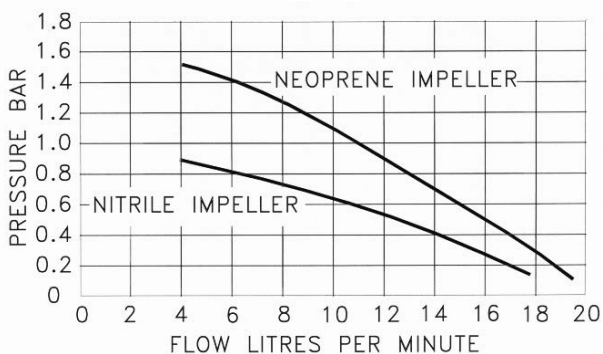
20-size UTILITY PUMP HEAD KIT with 3/4" ports



PORTS
3/4" BSP
internal
threaded

Dimensions
in mm

PUMP PERFORMANCE - 1450rpm



PUMP HEAD MODELS

- 53021-2011 Neoprene impeller
- 53021-2013 Nitrile oil-resistant impeller

The pump head kit can be close-coupled to a wide range of motor types and speeds. Motors must be standard IEC63 frame B3/B14

SPECIFICATION

Pump body: bronze Head kit Weight: 1.5kg
 Shaft: AISI316 stainless steel
 Shaft seal: mechanical (carbon-ceramic)
 Impeller: see pump models above
 Max. recommended liquid viscosity: 100cp at 1500rpm.
 Lower speeds for higher viscosity - check with your pump supplier

- ◆ Rapid self-priming up to 2 metres vertical lift.
- ◆ Handles hard and soft solids up to 3mm in size.
- ◆ Can pump up to 90% entrained air.
- ◆ Up to 10 minutes dry running protection.
- ◆ Quick and simple to maintain
- ◆ Light, compact, portable and tough

WARNING

Explosive hazard. Do not pump gasoline, solvents, thinners, or other flammable liquids. To do so can cause an explosion resulting in injury or death

Performance figures are based on manufacturer's tests with water and are not guaranteed for any particular application

Product descriptions and specifications are subject to alteration without notice



**RELIABILITY WITH TOP QUALITY PUMP ENGINEERING
- FROM THE UK'S LEADING JABSCO SPECIALIST**

DOC314/04



Xylem Water Solutions UK Ltd
 Bingley Road • Hoddesdon • Hertfordshire • EN11 0BU • UK
 Telephone: +44 (0)1462 480380 Fax: +44 (0)1462 482422
 mail@cleghorn.co.uk www.jabscoshop.com